

# Hy-Lok 110 Series

## Ball Valves



for use with 1/4" thru 2" Tube and Piping Systems

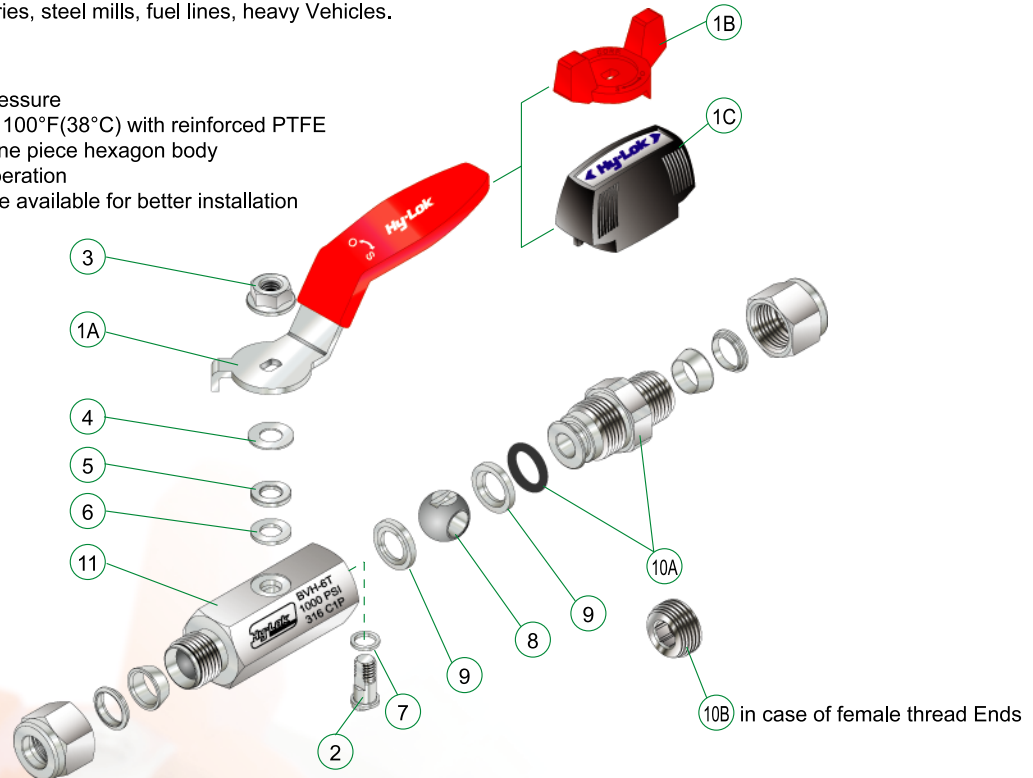
### Application

Chemical plants, refineries, steel mills, fuel lines, heavy Vehicles.

Catalog No. H-110BV  
Nov. 2013

### Features

Maximum Operating Pressure of 1000psig(69bar) @ 100°F(38°C) with reinforced PTFE  
Compact Design with one piece hexagon body  
Low Torque for easy operation  
Butterfly & Nylon Handle available for better installation in a restricted space

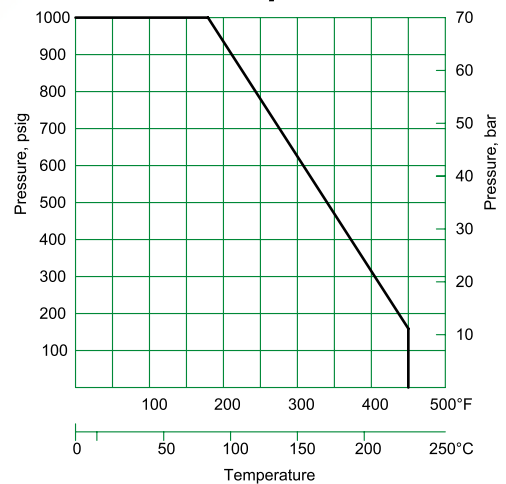


### Material of Constructions

| Item | Description   | Grade / ASTM Specification                          |       |
|------|---------------|---|-------|
|      |               | SS316   | Brass |
| 1A   | Handle        | SS316 Lever with Coated(Red Color)                  |       |
| 1B   |               | Zinc with Nickel Plated(Red & Blue Color available) |       |
| 1C   |               | Dielectric Nylon(Black Color)                       |       |
| 2    | Stem          | 316 Stainless Steel                                 |       |
| 3    | Lock Nut      | 316 Stainless Steel                                 |       |
| 4    | Gland Washer  | 316 Stainless Steel                                 |       |
| 5    | Gland         | 316 Stainless Steel                                 |       |
| 6    | Outer Packing | Reinforced PTFE                                     |       |
| 7    | Inner Packing | Reinforced PTFE                                     |       |
| 8    | Ball          | 316/316L Stainless Steel                            |       |
| 9    | Seat          | Reinforced PTFE                                     |       |
| 10A  | End Connector | TP316 / A479  | Brass |
| 10B  |               | with O-Ring*  |       |
| 11   | Body          | TP316 / A479  |       |

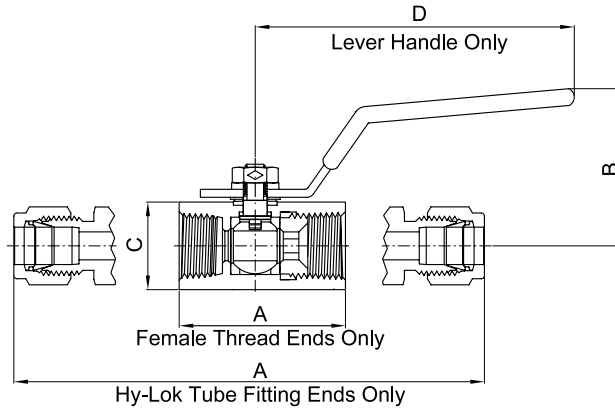
\*O-Ring of NBR standard, FKM(e.g Viton)on request.

### Pressure-Temperature Rating



# HY-LOK CORPORATION

©1998, 2000, 2002, 2007, 2013 HY-LOK CORPORATION All rights reserved

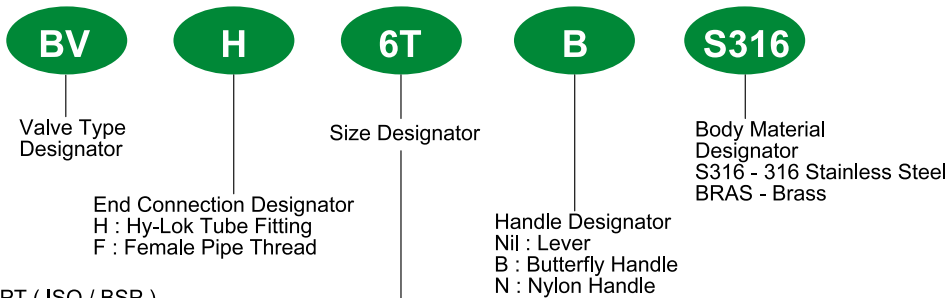


## Table of Dimensions

| Basic Part NO. | Orifice | Cv    | End Connections   | Dimensions |    |         |       | Weight (kg) |
|----------------|---------|-------|-------------------|------------|----|---------|-------|-------------|
|                |         |       | Both Ends         | A          | B  | C (Hex) | D     |             |
| BVH-6M         | 5.0     | 0.84  | 6mm Hy-Lok        | 79.5       | 31 | 17.0    | 60.0  | 0.13        |
| BVH-4T         |         |       | 1/4" Hy-Lok       | 79.5       |    |         |       | 0.13        |
| BVF-4N         |         |       | 1/4" Female NPT   | 40.0       |    |         |       | 0.07        |
| BVH-10M        | 7.5     | 4.20  | 10mm Hy-Lok       | 90.0       | 40 | 20.6    | 80.0  | 0.22        |
| BVH-6T         |         |       | 3/8" Hy-Lok       | 90.0       |    |         |       | 0.22        |
| BVF-6N         |         |       | 3/8" Female NPT   | 45.0       |    |         |       | 0.13        |
| BVH-12M        | 9.0     | 6.50  | 12mm Hy-Lok       | 99.0       | 42 | 27.0    | 80.0  | 0.34        |
| BVH-8T         |         |       | 1/2" Hy-Lok       | 99.0       |    |         |       | 0.34        |
| BVF-8N         |         |       | 1/2" Female NPT   | 54.5       |    |         |       | 0.21        |
| BVH-16M        | 12.5    | 8.00  | 16mm Hy-Lok       | 109.0      | 51 | 32.0    | 100.0 | 0.49        |
| BVH-10T        |         |       | 5/8" Hy-Lok       | 109.0      |    |         |       | 0.49        |
| BVF-12N        |         |       | 3/4" Female NPT   | 61.0       |    |         |       | 0.33        |
| BVH-12T        |         |       | 3/4" Hy-Lok       | 110.0      |    |         |       | 0.57        |
| BVH-16T        | 16.0    | 25.00 | 1" Hy-Lok         | 134.0      | 55 | 38.0    | 100.0 | 0.85        |
| BVF-16N        |         |       | 1" Female NPT     | 76.0       |    |         |       | 0.60        |
| BVF-20N        | 21.0    | -     | 1 1/4" Female NPT | 89.0       | 65 | 50.0    | 151.0 | 0.90        |
| BVF-24N        | 24.0    | -     | 1 1/2" Female NPT | 95.0       | 68 | 55.0    | 148.5 | 1.10        |
| BVF-32N        | 32.0    | -     | 2" Female NPT     | 110.0      | 73 | 70.0    | 144.0 | 2.00        |

All dimensions are in millimeters. Dimensions shown with Hy-Lok nuts in finger-tight position, where applicable.

## Ordering Information



NPT ( ISO / BSP ) \_\_\_\_\_

| Thread(in.) | 1/4   | 3/8   | 1/2   | 3/4    | 1      | 1 1/4  | 1 1/2  | 2      |
|-------------|-------|-------|-------|--------|--------|--------|--------|--------|
| Designator  | 4N(R) | 6N(R) | 8N(R) | 12N(R) | 16N(R) | 20N(R) | 24N(R) | 32N(R) |

Tube

| Fractional Tube | O.D(in.)   | 1/4 | 5/16 | 3/8 | 1/2 | 5/8 | 3/4 | 7/8 | 1   |
|-----------------|------------|-----|------|-----|-----|-----|-----|-----|-----|
|                 | Designator |     | 4T   | 5T  | 6T  | 8T  | 10T | 12T | 14T |
| Metric Tube     | O.D(mm)    | 6   | 8    | 10  | 12  | 15  | 16  | 22  | 25  |
|                 | Designator |     | 6M   | 8M  | 10M | 12M | 15M | 16M | 22M |

Note "N": No designator is required for Lever Handle e.g. BVH-6T - S316

## SAFETY in VALVE SELECTION

Proper installation, material compatibility, operation and maintenance of these valves are the responsibility of the user. The total system design must be taken into consideration to ensure optimal performance and safety.